

BALDOR® • RELIANCE 

Product Information Packet

SAFE-WAY ELECTRIC MOTOR COMPANY

B517083

5.00HP, 1750RPM, DC, NEMA, 256UC, TEFC, F1

Part Detail							
Revision:	E	Status:	PRD/A	Change #:		Proprietary:	No
Type:	DC	Prod. Type:		Elec. Spec:		CD Diagram:	
Enclosure:		Mfg Plant:		Mech. Spec:		Layout:	92A250-0038
Frame:		Mounting:		Poles:	00	Created Date:	02-17-2014
Base:		Rotation:	R	Insulation:		Eff. Date:	01-04-2018
Field Type:		Literature:		Elec. Diagram:		Replaced By:	

Specs			
Frame:	256UC		
Frame Material:	Steel		
Agency Approvals:	CSA		
Bearing Grease Type:	Polyrex EM (-20F +300F)		
Drip Cover:	No Drip Cover		
Feedback Device:	NO FEEDBACK		
Heater Indicator:	No Heater		
Insulation Class:	F		
Lifting Lugs:	Standard Lifting Lugs		
Shaft Extension Location:	Pulley End		
Shaft Ground Indicator:	No Shaft Grounding		
Shaft Slinger Indicator:	No Slinger		
Motor Standards:	NEMA		

Nameplate NP1734										
CAT.NO.		MODEL	B517083							
HP	5	RPM	1750	FRAME	256UC					
ARM V	180	ARM A	23.00	WOUND	STR. SHUNT					
FLD V	200	FLD A	.83							
CONN		OHMS	166.7	CL	F					
ENCL	TEFC	DUTY	CONT	MX AMB	40					
P CODE	K	CTSR		SER.F.	1.0					
S/N		E/S	K00119A							
	FLD. DATA FOR HIGH VOLTS									
	FLD. VOLTS 100/200									
O.D.E. BRG.	6207	D.E. BRG.	6209	BRUSH	150986-25-1				QTY	2

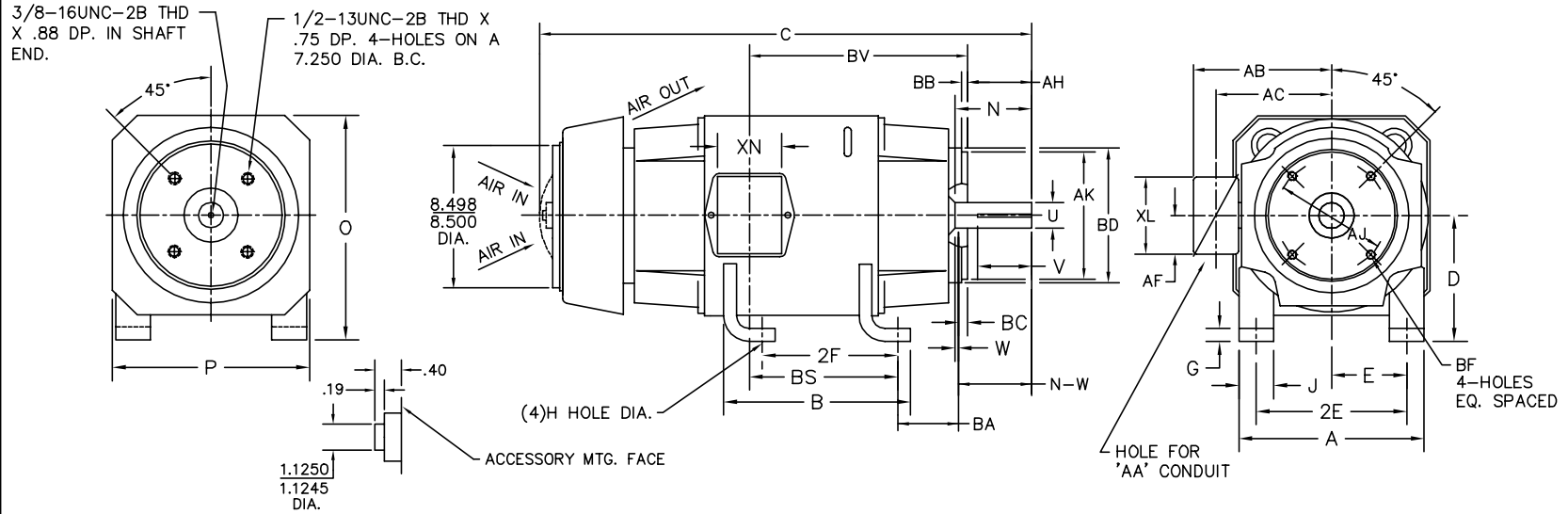
Parts List		
Part Number	Description	Quantity
SA281502	SA B517083	1.000 EA
AA015435	AA B517083	1.000 EA
036170004DA	DRSCW METRIC NAMEPLATE	4.000 EA
NP1734	NPL,BALDOR DC MTR ALUMINUM	1.000 EA
15209	LABEL CONNECTIONS & TERMINAL MARKIN	1.000 EA
032018004BK	HHCS 5/16-18X1/2 PLATED	2.000 EA
032018004BK	HHCS 5/16-18X1/2 PLATED	2.000 EA
25017-1	FAN MACHINING FRAME 25 SERIES	1.000 EA
25029	BALANCE RING,4.19"OD X 3.130"ID,7GA STEE	2.000 EA
034141177AA	EXT SNAP RING	1.000 EA
15553-797	KEY .250/.248 SQ X 7.97 LONG	1.000 EA
25028	ROTOR WASHER FRAME 25 SERIES	1.000 EA
613410001B	BDSHF	1.000 EA
25028	ROTOR WASHER FRAME 25 SERIES	1.000 EA
032018016CK	HHCS 3/8-16X2 PLATE	4.000 EA
032018016CK	HHCS 3/8-16X2 PLATE	4.000 EA
25022-1	INTERPOLE STACK	2.000 EA
424504009EB	SHIMS 259	1.000 EA
424508151A	BALDOR ROUND DC FRAME INSULATION B/M	1.000 EA
034141137AA	SNAP RING	1.000 EA
15094	DISHED LOCKWASHER .332 ID, .865 OD	2.000 EA
032130010CA	3/8-16 X 1.25 HSHCS	4.000 EA
25067-3	FE BRKT MACH FR 250 C-FACE,LOCKED	1.000 EA
HW5100A09	W3328-036 WVY WSHR (WB)	1.000 EA

Parts List (continued)		
Part Number	Description	Quantity
032018004AK	HHCS 1/4-20X1/2 PLATED	4.000 EA
032018006CK	HHCS 3/8-16X3/4L PLATED	4.000 EA
032018006DK	HHCS 1/2-13X3/4 PLATED	4.000 EA
032018010DK	HHCS 1/2-13X1-1/4 PLATED	4.000 EA
032620032KB	HSSS 1/4-20X1" PLTD - 360	2.000 EA
033100012AB	1/4-20 HX MACH SCREW NUT	4.000 EA
15021-2	ACC.FACE SCRN,1/2 #13/15 FLTND. EXP.META	1.000 EA
15442	COVER RING TEFC ACC FACE #14 GA CR	1.000 EA
15567-100	KEY .312/.310 SQ	1.000 EA
15832-31	SET SCR 5/16-18,CUP POINTBLK.OXIDE,H.GR.	4.000 EA
25071-1	'C' FACE COVER MACH ACC, FR 25, T.E.F.C.	1.000 EA
25072-1	FAN MACHINING FRAME 250, T.E.F.C.	1.000 EA
25108-1	GASKET,TERM BOX,1/8"CORK NEOPRENE(DC-205	1.000 EA
25458	SHROUD & GUARD ASSY 250 SERIES	1.000 EA
482415000A	GREASE (MOBIL POLYREX EM)	1.360 LB
032130010CA	3/8-16 X 1.25 HSHCS	4.000 EA
032130016AA	HSHCS	2.000 EA
035000001A	ALFTG 1/8" 1610-BL	1.000 EA
15185-13	LUBE EXTENSION 1.38 LENGTH	1.000 EA
15185-3	LUBE EXTENSION 2.50 LGTH	1.000 EA
15548-2	LUB FITTING,PRESS-IN ALEMITE #1743-B/EQ	1.000 EA
15548-3	GREASE RELIEF,PRESS-IN ALEMITE #321381/E	1.000 EA
25034-6	CE BRKT MACH FR 250 LOCK ODE BRG	1.000 EA
HW4500A17	317400 ALEMITE GREASE RELIEF	1.000 EA

Product Information Packet: B517083 - 5.00HP,1750RPM,DC,NEMA,256UC,TEFC,F1

15094	DISHED LOCKWASHER .332 ID, .865 OD	2.000 EA
150986-25-1	BRUSH,250 FR. SERIES E-41,HELWIG CARB.PR	2.000 EA
25686-1	ROCKER RING ASSY FR 250	1.000 EA
032018004AK	HHCS 1/4-20X1/2 PLATED	2.000 EA
032018004AK	HHCS 1/4-20X1/2 PLATED	28.000 EA
150449-25	T BOX GRD STUD ARG 1/4 20 DIA. STUD	1.000 EA
25036-1	ACCESS COVER ODE, FR 250 SERIES	1.000 EA
25036-2	ACCESS COVER DE, FRAME 250 SERIES	3.000 EA
25036-1	ACCESS COVER ODE, FR 250 SERIES	2.000 EA
25048-1	CVR GASKET,CE,FR-250 3/32 THK CORK/N	3.000 EA
25048-2	CVR GASKET,FE,FR-250 3/32 THK CORK/NEO	3.000 EA
25109	TERMINAL BOX BASE FR 250	1.000 EA
25110	TERMINAL BOX COVER FR 250	1.000 EA
25111	GASKET,COVER,1/8"THK CORK/NEOPRENE (DC-2	1.000 EA
MG1025G05	WILKOFASST, 789.227, MED. GRAY CHAR. MET.	0.100 GA
034180022EA	KEY 5/16X5/16X2-3/4L-210	1.000 EA
PA1100	PACK FOR #1 SKID; CUSTOM	1.000 EA
609848007C	NOMEX WASHER, ROUND DC 2POLE ODE	1.000 EA
MN605	INTEGRAL HP DC MOTORS 2/09	1.000 EA

92A250-0038



FRAME	FOOT MOUNTING						D.E. SHAFT EXTENSION											DRIVE KEY			
	BA	E	2F	G	H	J	AH	Aj	AK	BB MIN	BC	BD	THREAD BF	DEEP	N	N-W	U	V	W	KEY-SQ.	KEY-LONG
259ATCYZ	4.25	5.00	10.00	.69	.531	2.25	3.50	7.250	8.500 ²	.27	.25	8.75	1/2-13	.97	3.94	3.75	1.375	3.50 ⁴	.19	.312	2.81

FRAME	FRAME						CONDUIT BOX								ARM APPROX. WK ² LBS.FT. ²	APPROXIMATE WEIGHT
	A	B	C	D	O	P	AA	AB	AC	AF	BS	BV	XL	XN		
259ATCYZ	12.38	12.88	32.18	6.25 ⁵	12.47	12.44	1 1/4	9.35	7.72	2.94	11.25	15.75	4.94	4.00	3.31	456

- 1) SHAFT DIAMETERS TO 1.500 TOLERANCE +.000 -.0005
SHAFT DIAMETERS ABOVE 1.500 TOLERANCE +.000 -.0010
SHAFT DIAMETERS TO 1.625 RUNOUT .002 T.I.R. MAX.
SHAFT DIAMETERS ABOVE 1.625 RUNOUT .003 T.I.R. MAX.
- 2) 'AK' DIMENSION UNDER 12.000 - DIAMETER TOLERANCE + .000 - .003
CONCENTRIC WITH SHAFT .004 T.I.R. MAX.
FACE RUNOUT WITH SHAFT .004 T.I.R. MAX.
'AK' DIMENSION 12.0 & OVER - DIAMETER TOLERANCE +.000 -.005
CONCENTRIC WITH SHAFT .007 T.I.R. MAX.
FACE RUNOUT WITH SHAFT .007 T.I.R. MAX.
- 3) 'D' DIMENSION TOLERANCE +.000 -.030
- 4) 'V' DIMENSION IS MAX. HUB LENGTH ON SHAFT
- 5) CONDUIT BOX CAN BE ROTATED IN 90° STEPS ON ITS OWN AXIS.
- 6) ALL DIMENSIONS NOT NOTED ARE NOMINAL DIMENSIONS CONSULT FACTORY FOR TOLERANCES.

CUSTOMER IS RESPONSIBLE FOR DETERMINING THAT BALDOR'S PRODUCT WILL PERFORM SUITABLY IN THE INTENDED APPLICATION.

REV. DESC: NEW	VERSION: 00		TDR: 000000492411	BALDOR • DODGE • RELIANCE
FILE: \CHB\00016\531	REVISED: 11:18:14 03/09/2009		259ATCYZ, TEFC, F1, 259 W/ 256 FT. SPACING, U=1.375, AH=3.50	
MTL: -	BY: CHDANR1		SH 1 of 1	

92A250-0038