

BALDOR® • RELIANCE 

Product Information Packet

SAFE-WAY ELECTRIC MOTOR COMPANY

T21T1336

15HP,1750RPM,DC,2113ATZ,DPG-FV,

Part Detail			
Type:	DC	Prod. Type:	TR
Power Code:	C	Weight:	378
Frame Group:	SC 2113ATZ	Mounting Pos.:	F1
HP:	15	Enclosure:	DPFV
RPM:	1750/2300	Wound:	STAB SHUNT
Service Factor:	1.0	Arm V:	500
Arm A:	27.00	Field V:	300
Field A:	2.24	Field A Hot:	1.72/1.08
Insulation Class:	F	Ambient:	40
Duty:	CONT	DE Bearing:	50BC03J30X
ODE Bearing:	45BC02J30X	Brushes:	419904-51AB
Brush Qty.:			

Parts List		
Part Number	Description	Quantity
34182-7GA	KEY 1/2 X 3/8 X .88	1.000 EA
406770-2	LABEL M2	1.000 EA
410978-10C	Flange, Inlet Blower Hsg	1.000 EA
410978-19A	Screen, Inlet Flange	1.000 EA
416821-3FL	Bearing, Ball 6310RC3E	1.000 EA
416821-3K	Bearing, Ball 6209EC3E	1.000 EA
417733-1G	GASKT	2.000 EA
418010-6A	MTGPL	1.000 EA
419900-51A	BALRG METRIC ALUMINUM	1.000 EA
419903-30AA	FRINS M2	1.000 EA
419903-3AC	ARMIN M2	1.000 EA
419904-51AB	BRUSH EXTRUDER DUTY C	4.000 EA
419905-8A	HXWSH M2	8.000 EA
419921-12AAB	LBNDL M2	1.000 EA
419930-1R	ARMCR (PHANTOM) 5.88 L	1.000 EA
422908-8A	SLVNG EXTRA SLVG LENGT M2	72.000 EA
422919-1	CVRKT BE SOLID C210	1.000 EA
422919-12	CVRKT FE SOLID C210	3.000 EA
422919-3	CVRKT BE LOUVERED C210	2.000 EA
435300-37	MWIRN 18.5 GA -4BV	9.800 LB
435300-45	MWIRN22.5 GA -4BV	14.000 LB
435360-25	MWIRP 12.5 GA -4BV	8.200 LB
46001-26A	THERMOSTAT WINDING 36	2.000 EA
48977-6B	GRFTG M2	1.000 EA

Parts List (continued)		
Part Number	Description	Quantity
610428-3A	Cap 609868-3WAA	1.000 EA
610428-4A	Cap 609868-4WAA	1.000 EA
610431-5A	BDSHF CUSTOM	1.000 EA
610490-1AH	BlowerMtr P56X1341 WESTVI	1.000 EA
611916-1A	Balance Ring	1.000 EA
611916-2A	Balance Ring	1.000 EA
611917-2A	GASKT	1.000 EA
611923-1RA	SHAFT-RED	1.000 EA
611940-51A	Mainpole 5.88	4.000 EA
611948-51B	Commutator	1.000 EA
611954-51A	BDSHF C210 ALUMINUM	1.000 EA
611965-1A	Wheel, Blower	1.000 EA
65530-B	GASKET C/ BOX	1.000 EA
692-FP	NAMEPLATE CHE M2	1.000 EA
692-FS	NP M2	1.000 EA
706305-26A	Guard,Shaft	1.000 EA
706320-3A	Conduit Box	1.000 EA
706338-52A	Frame 210 DC	1.000 EA
706364-51RAA	BRHLD METRIC SPRING CHG.	4.000 EA
706372-11RB	ROCKR METRIC	1.000 EA
708528-4G	Housing, Blower	1.000 EA
75451-A	Cover, Conduit Box	1.000 EA
801924-102A	BRKT 210 DC 801924-1WCC	1.000 EA
801925-102A	BBRKT 801925-1WCD	1.000 EA

16002-001

INDUSTRIAL DIRECT CURRENT MOTORS AND GENERATORS - RPM III

ENCLOSURE: DRIP-PROOF FULLY-GUARDED,
SPLASHPROOF

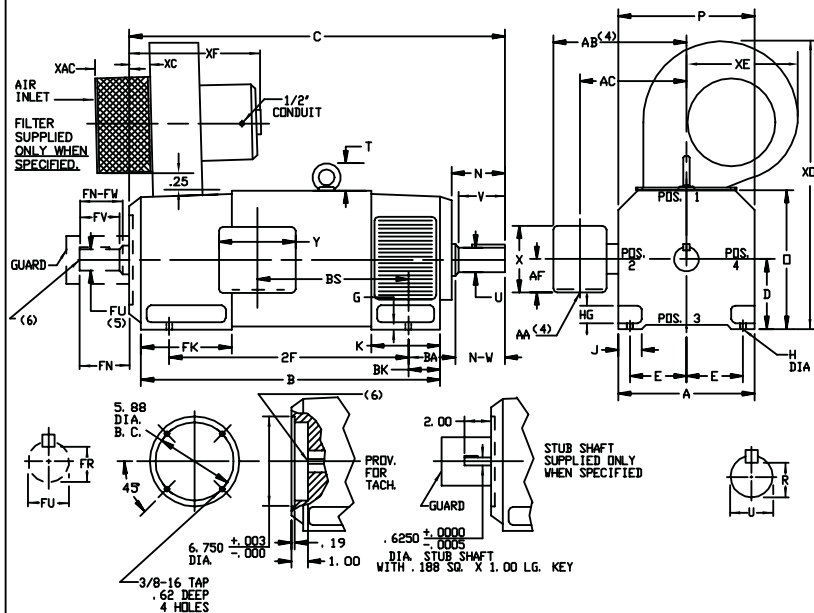
COOLING: FORCE VENTILATED
WITH INTEGRAL
BLOWER AND MOTOR

MOUNTING: FOOT

METHOD OF DRIVE: COUPLED OR BELTED

ACCESSORIES: PROVISION FOR
TACHOMETER MOUNTING
ONLY WHEN SPECIFIED

FRAMES SC2113ATZ THRU LC2115ATZ



DIMENSIONS ARE IN INCHES

FRAME	XAC	XC	XE	XF	XO
SC2113ATZ-LC2115ATZ	7.75	2.25	10.00	16.00	22.75

FRAME	A	D(1)	E	G	H	HG	J	O	P	T	BA	K	FK	BK
SC2113ATZ-LC2115ATZ	10.25	5.25	4.25	.44	.44	1.38	1.75	10.44	10.31	2.08	3.50	5.19	6.81	2.38

FRAME	C(7)	B	BS	2F	DRIVE END SHAFT AND KEY					OPPOSITE DRIVE END SHAFT AND KEY(S)					VT.				
					N	N-W	U(2)	V	R(3)	SQ.	LGTH	FN	FN-FW	FU(2)		FV	FR(3)	SQ.	LGTH
SC2113ATZ	28.38	22.50	11.38	18.00	4.00	3.75	1.875	3.50	1.991	.500	2.50	3.50	3.25	1.625	3.00	1.416	.375	2.25	345
MC2113ATZ	29.62	23.75	12.62	18.00	4.00	3.75	1.875	3.50	1.991	.500	2.50	3.50	3.25	1.625	3.00	1.416	.375	2.25	370
LC2113ATZ	31.25	25.38	14.25	18.00	4.00	3.75	1.875	3.50	1.991	.500	2.50	3.50	3.25	1.625	3.00	1.416	.375	2.25	400
MC2115ATZ	32.50	26.62	15.50	22.00	4.00	3.75	1.875	3.50	1.991	.500	2.50	3.50	3.25	1.625	3.00	1.416	.375	2.25	425
LC2115ATZ	35.25	29.38	18.25	22.00	4.00	3.75	1.875	3.50	1.991	.500	2.50	3.50	3.25	1.625	3.00	1.416	.375	2.25	480

- (1) "D" DIMENSION WILL NOT BE EXCEEDED. SHIMS UP TO .03 INCHES IN THICKNESS ARE USUALLY REQUIRED FOR COUPLED OR GEARED MACHINES.
- (2) "U" AND "FU" VARY----+.000 - .001
- (3) "R" AND "FR" VARY----+.000 - .015
- (4) TERMINAL BOX VARIES WITH H.P. FOR DIMENSIONS "AA", "AB", "AC", "AF", "X" AND "Y". REFER TO BOX D/S. (STD. 609959-1, "X/P" 609959-2, MILL 609959-3)
- (5) OPPOSITE DRIVE END SHAFT SUPPLIED ONLY WHEN SPECIFIED.
- (6) MOTOR SHAFT TAPPED FOR SCREW-IN STUB SHAFT.
- (7) WHEN THE MOTOR APPLICATION DOES NOT REQUIRE THE USE OF OPP. DRIVE END, ADD .25 TO "C" DIM. FOR BRACKET COVER. TERMINAL BOX CAN BE ROTATED FOR LEAD OUTLET AT TOP, SIDES OR BOTTOM OR C-1 MOUNTING IS SPECIFIED. BOX LOCATED ON TOP WHEN SPECIFIED. BLOWER ASSEMBLY CAN BE LOCATED AT POSITIONS 1, 2, OR 4, EXCEPT BLOWER ASSEMBLY AND TERMINAL BOX CAN NOT BE LOCATED AT THE SAME POSITION. MOTOR WEIGHT MAY VARY 15% FOR NON-STANDARD RATINGS AND/OR ACCESSORIES. IF MOUNTING CLEARANCE DETAILS ARE REQUIRED, CONSULT FACTORY.

CUSTOMER IS RESPONSIBLE FOR DETERMINING THAT BALDOR'S PRODUCT WILL PERFORM SUITABLY IN THE INTENDED APPLICATION.

REV. DESC: LOADED TO BUS	VERSION: 00	TDR: 000000578087
REV. LTR: -	REVISED: 08: 22:49 01/28/2011	BY: CONNAS
FILE: \RGG\00015\944		
MTL: -		

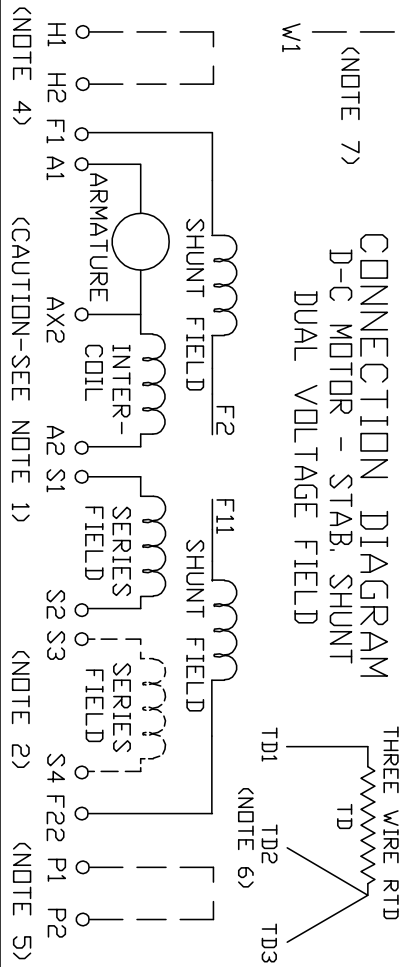
BALDOR
DIMENSION DRAWING: SC2113ATZ - LC2115ATZ, DPP, FOOT MTG
SH 1 of 1

16002-001

406770-002

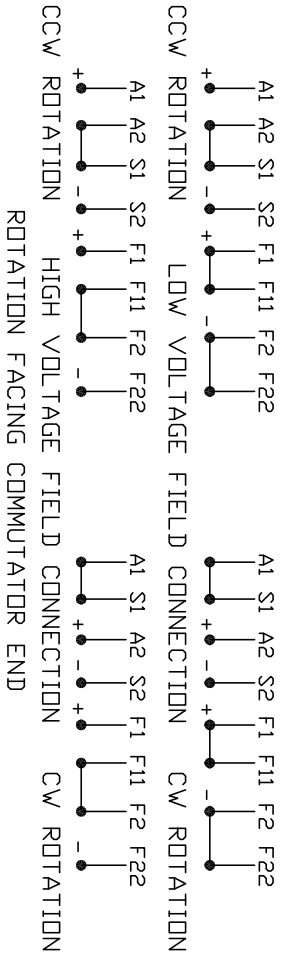
CONNECTION DIAGRAM
D-C MOTOR - STAB. SHUNT
DUAL VOLTAGE FIELD

406770-002



ARMATURE AND FIELD EXTERNAL CONNECTIONS

WARNING- SEE NOTE 8 FOR GROUNDING INSTRUCTIONS



- CAUTION** - ARMATURE AND SERIES FIELD MAY HAVE MULTIPLE LEADS. CONNECT ALL LUGS WITH THE SAME MARKING TOGETHER.
 - OPTIONAL SERIES FIELD IS MARKED S3 AND S4, FOR CUMULATIVE SERIES FIELD, CONNECT S3 TO S2 AND CONNECT S4 TO NEGATIVE. FOR DIFFERENTIAL SERIES FIELD CONNECT S4 TO S2 AND S3 TO NEGATIVE.
 - OPTIONAL CONTROL SIGNAL LEAD IS MARKED AX2. ALWAYS TAKE INTERPOLE DROP BETWEEN A2 AND AX2. NOTE: NEMA DESIGNATION FOR AX2 IS LETTER C.
 - SPACE HEATERS, WHEN PROVIDED, WILL HAVE LEADS MARKED H1 AND H2, H3, H4, ETC.
 - THERMAL PROTECTOR, WHEN PROVIDED, WILL HAVE LEADS MARKED P1 AND P2, P3, P4, ETC.
 - WINDING RTD'S, WHEN PROVIDED, WILL HAVE LEADS MARKED TD1, TD2, & TD3
 - BRUSH WEAR SENSOR, WHEN PROVIDED, WILL HAVE LEAD MARKED W1.
 - WARNING** - MOTOR MUST BE GROUNDED TO PREVENT SERIOUS INJURIES TO PERSONNEL. GROUND THE MOTOR PER IEC, NATIONAL ELECTRICAL CODE AND ANY APPLICABLE LOCAL ELECTRICAL CODES. A TAPPED HOLE IS PROVIDED IN THE CONDUIT BOX ON THE FOOT. FRAME BRACE OR OPPOSITE OPPOSITE DRIVE END BRACKET, ADJACENT TO THE TERMINAL BOX FOR FOR MOTOR GROUNDING. GROUND LEAD, WHEN PROVIDED, WILL BE GREEN.
- CUSTOMER _____ ORDER NO. _____ S.D. NO. _____
 CUSTOMER _____ RELIANCE

REV. DESC: UPDATE LOGO AND TITLEBLOCK: LOADED TO BUS		
REV. LTR: -	VERSION: 00	TDR: 000000781086
FILE: \RSN\00026\434	REVISED: 02: 35: 07 02/01/2013	
MTL: -	BY: MGHP	

BALDOR

D-C MOTOR CONNECTION DIAGRAM STAB. SHUNT, DUAL VOLTAGE FIELD

SH 1 of 1